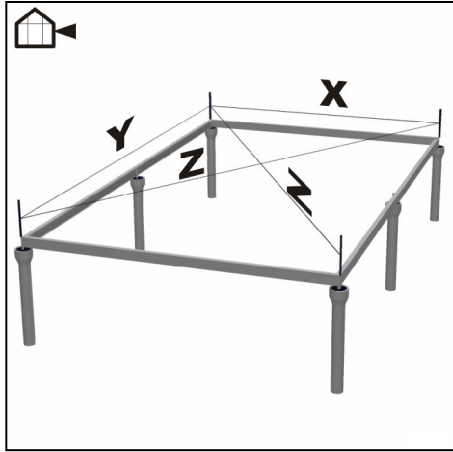
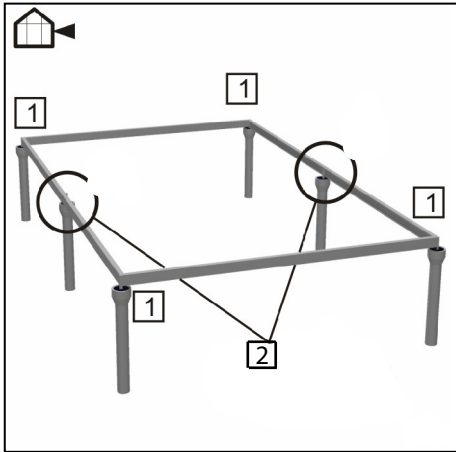


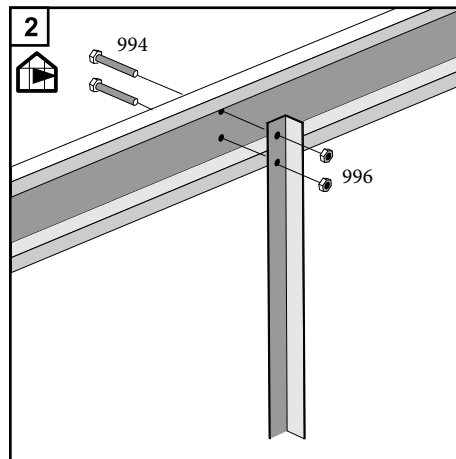
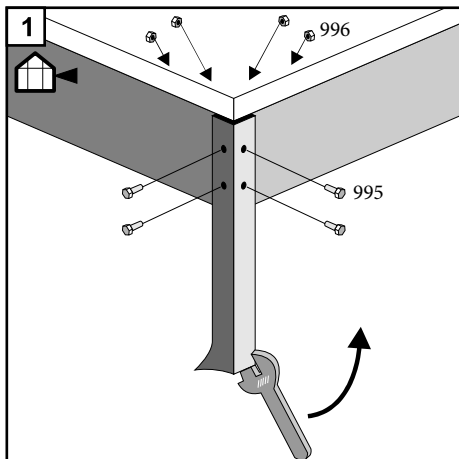
**Accessories - Zubehör - Tilbehør - Tillbehör - Accessoires
Toebehoren - Accesorios - Accessori - Lisävarusteet**

**Foundation - Fundering - Fundament - Fondement
Fundamento - Basamento - Perustus**

Steel-foundation



	X	Y	Z
108 8.3m²	2560 mm 8ft 4"	3182 mm 10ft 5"	4084 mm 13ft 4"
128 9.9m²	2560 mm 8ft 4"	3804 mm 12ft 5"	4585 mm 15ft"



	#	mm	108 8.3m²	128 9.9m²
┌		2560	2	2
		3182	2	
		3804		2
└	989	345	6	6
	995	10	16	16
⊥	994	40	4	4
	996		20	20
⚙	638		8	8
📏	F00031		8	10

