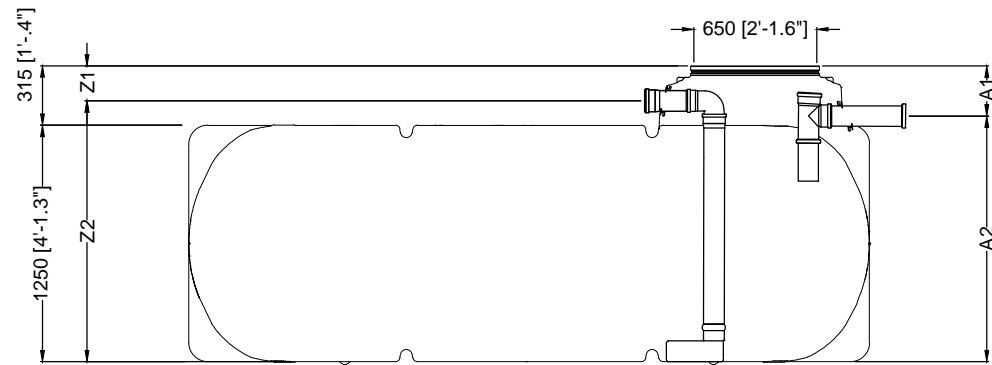
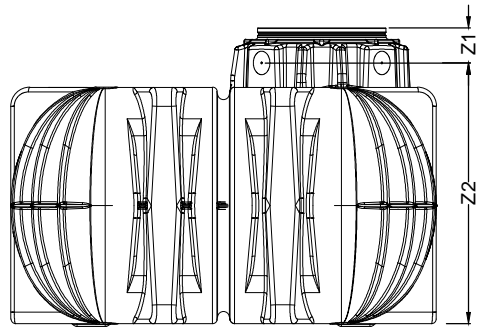
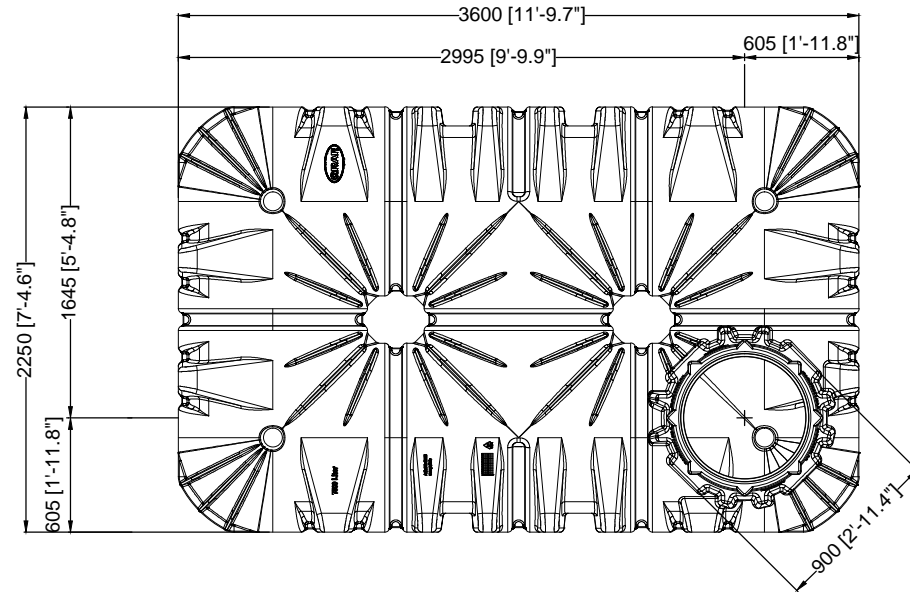


|    |                   |                   |
|----|-------------------|-------------------|
|    | #390353           | #390357           |
|    | DN 100            | DN 150            |
| Z1 | 185<br>[7.3"]     | 210<br>[8.3"]     |
| Z2 | 1380<br>[4'-6.3"] | 1355<br>[4'-5.4"] |
| A1 | 265<br>[10.4"]    | 240<br>[9.5"]     |
| A2 | 1300<br>[4'-3.2"] | 1325<br>[4'-4.2"] |



|  |            |   |  |  |        |   |           |                |
|--|------------|---|--|--|--------|---|-----------|----------------|
| D  |            |   | GRAF Platin Flachtank 7500 L / 1981,3 gal.<br>Sedimentationstank DWA-M 153 |  |        | Artikel-Nr.<br>product no. 390353 / 390357<br>article no.<br>articulo no.                     |           |                |
| GB   |            | ES  |  | FR   |        | Otto Graf GmbH<br>Carl-Zeiss-Str. 2-6<br>DE-79331 Teningen<br>mail@graf.info<br>www.graf.info |           |                |
| GRAF Platin<br>flat tank<br>7500 L / 1981,3 gal. |            | GRAF Platin<br>Depósito de poco profundidad<br>7500 L / 1981,3 gal. |  | GRAF Platin<br>Cuve à enterrer<br>7500 L / 1981,3 gal. |        |   |           |                |
| gezeichnet, drawn                                | ISC        | Gewicht, weight   | 380 kg   | revision   |        |   |           |                |
| Datum, date                                      | 2017.07.12 | Toleranz, tolerance   | +/- 3%   | Maßstab, scale   | M 1:40 | Einheiten, units  | mm [inch] | gal. = US gal. |

