

OASE GmbH & Co. KG

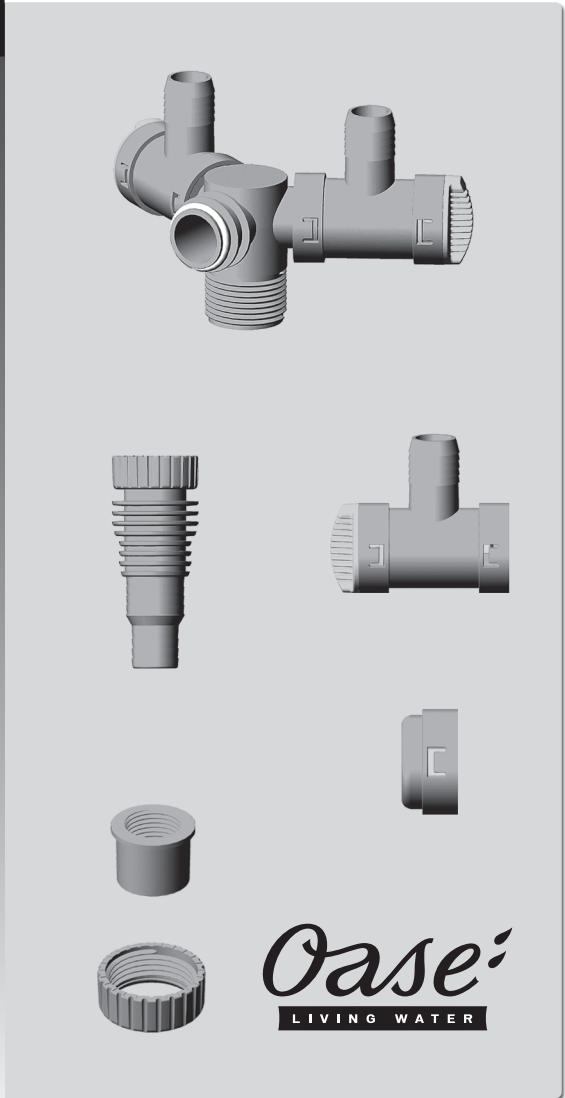
Postfach 2069  
D-48469 Hörstel  
Germany

E-Mail:  
[info@oase-livingwater.com](mailto:info@oase-livingwater.com)

Internet:  
[www.oase-livingwater.com](http://www.oase-livingwater.com)

T 305 822 368 01/ID.27013/01E

# Multi WD



*Oase*  
LIVING WATER

